

INSIDE THIS ISSUE ...

- 1 Canyon Acres barn raising**
A new barn at canyon acres will benefit abused children.
- 1 Kiblinger finds pot of gold with Rainbow**
Stable News reader Jan Kiblinger tells us about her unique pinto stallion.
- 1 Painting a bright future for horses**
Art brings hope and help fire victims.
- 6 Small Incident Causes a Big Stink**
Stable News' Garry Stauber reports on an equine cleanup incident in Newport Beach .
- 13 Q&A with Will Simpson**
- 15 An Affaire to Remember**
Bobbie Pope of Photos by Bobbie brings us a photo essay documenting this fun event.
- 21 West Nile Virus vaccine announced**
- 29 New Products**

Small incident causes big stink

By Garry Stauber

Cheryl Skidmoore tied her horse to her trailer after a peaceful trail ride in the Back Bay of Newport Beach, California. After unsaddling and cleaning up, she

loaded her horses and drove home to Costa Mesa.

Three days later, much to her surprise, she received a citation in the mail. The citation was issued for violation of local code 7.20.020,

which states that it is illegal to not properly clean up after one's pet. Though Cheryl Skidmoore said she did in fact clean up after her horse with a manure fork, the code enforcement officer on the scene felt it was less than adequate.

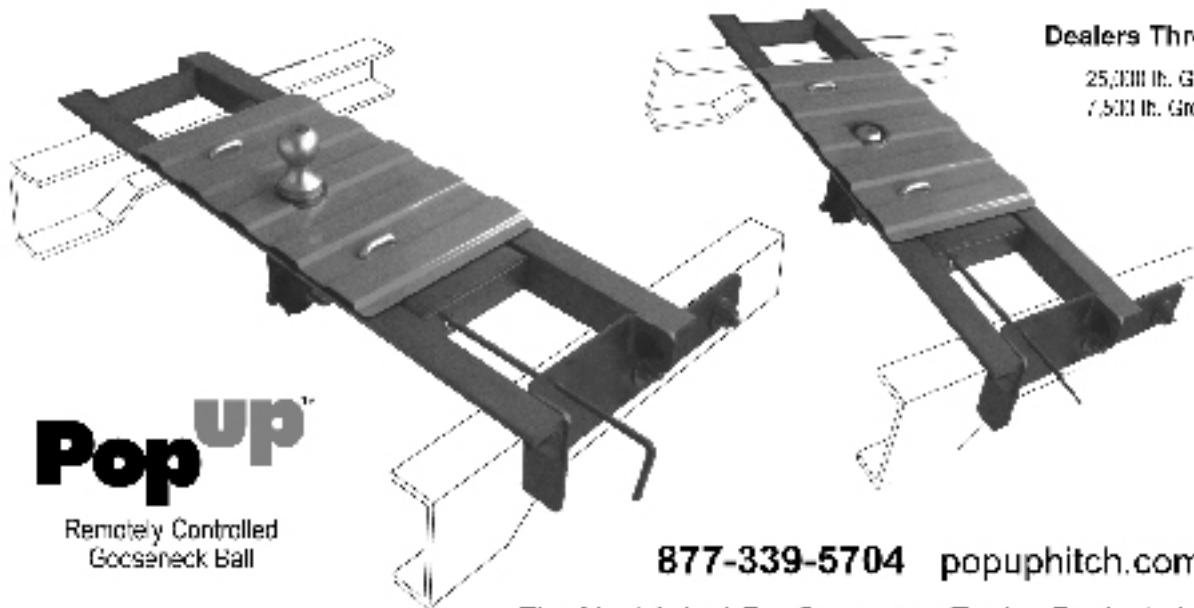
According to Assistant City

Below photo taken by code enforcer.



CONTINUED ON PAGE 7 ►

GOOSENECK ADAPTER  RV1	GOOSENECK ADAPTER  RV2	EXTENDED KING-PIN  RV5	EXTENDED COUPLER  SB1	EXTENDED COUPLER  SB2
---	---	--	--	--

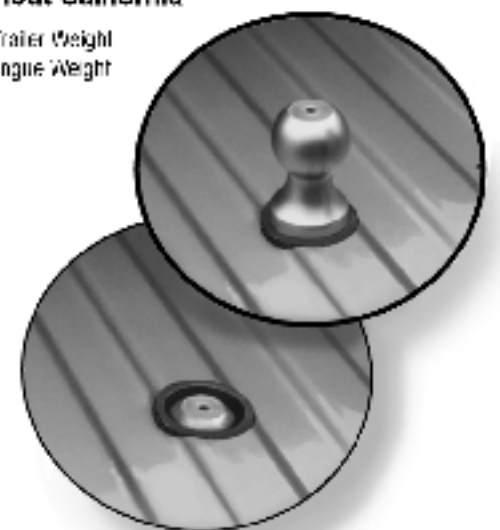


Pop up
Remotely Controlled
Gooseneck Ball

877-339-5704 popuphitch.com

Dealers Throughout California

25,000 lb. Gross Trailer Weight
7,500 lb. Gross Tongue Weight



The Most Asked-For Gooseneck Towing Products In America.